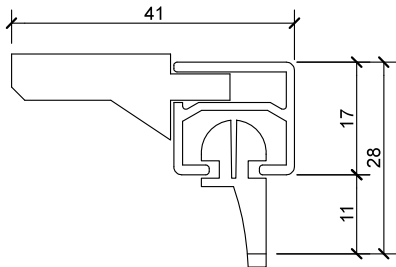


Series 50

Milan

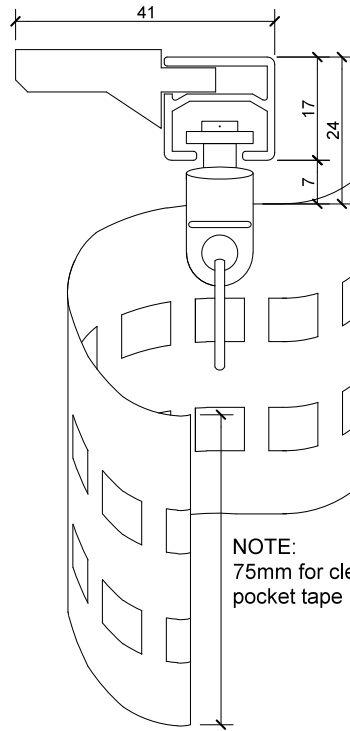


Bracket Dimensions

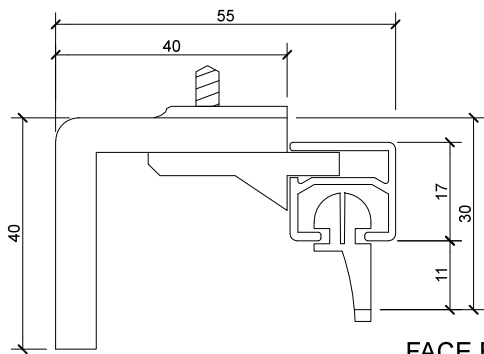


Use ONLY Flat head screws.
DO NOT use countersunk head screws.

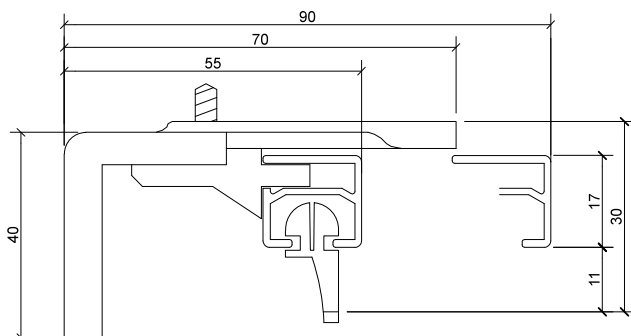
Series 50 Milan
EASY CLIP CEILING FIX
No 7453



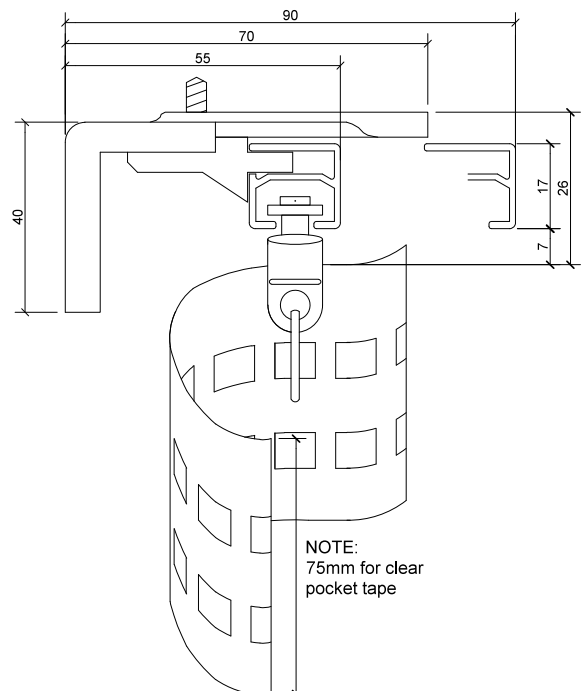
NOTE:
75mm for clear
pocket tape



Series 50 Milan
FACE FIX 40mm PROJECTION BRACKET
No 7451



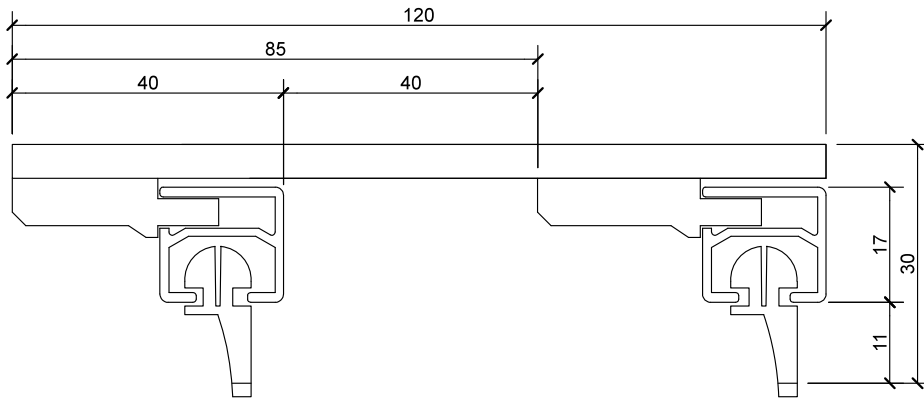
Series 50 Milan
FACE FIX 70mm PROJECTION BRACKET
No 7455



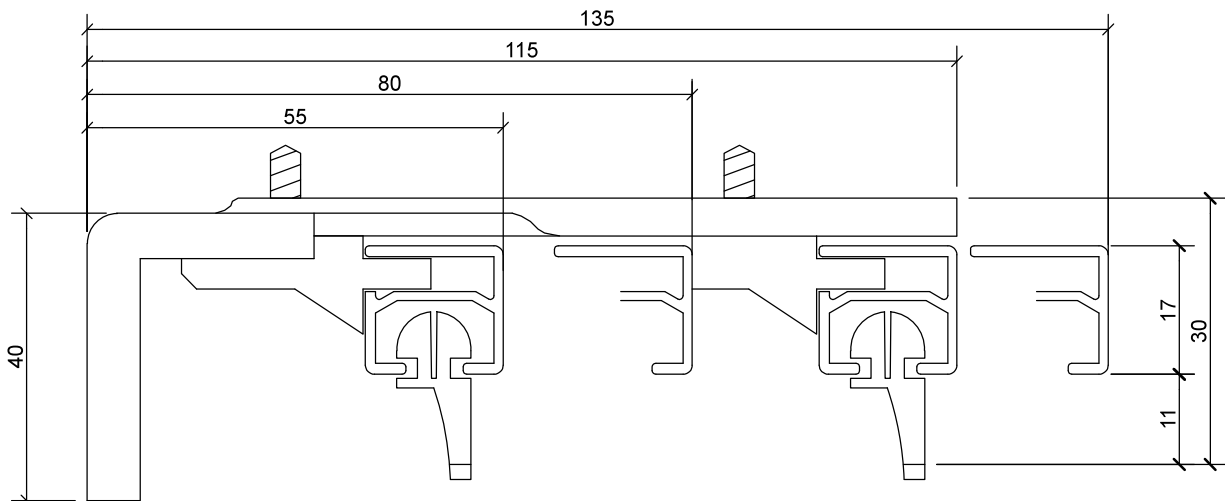
NOTE:
75mm for clear
pocket tape



Bracket Dimensions



Series 50 Milan
DOUBLE CEILING FIX 120mm PROJECTION BRACKET
No 7458



Series 50 Milan
DOUBLE FACE FIX 115mm PROJECTION BRACKET
No 7455s

Series 50 Milan



Bracket Dimensions

