



Series 84

Curtain Automation



Oslo Series 84 Curtain Motors are designed to meet all the requirements of modern living. Its sleek design is coupled with ease of use and state of the art functions including electronic limit settings, built in wireless receiver and the ability to connect to your home or office network.

Series 84

Curtain Automation



 <p>34mm wide x 22mm Height</p>	8420/6W	Motorised Track 6m length	
	8401 8402	Curtain Motor 75w 3 Core W/Rec Curtain Motor 75w 4 Core No Rec	
	8431	Runners Swivel	
	8434	Belt Connector	
	8436	Master Carrier Short Arm	
	8437	Master carrier One Way	
	8441	End Stop no hook	
	8442	End Stop with hook	
	8443	Return hook	
	8446	Track Joiner	

Series 84

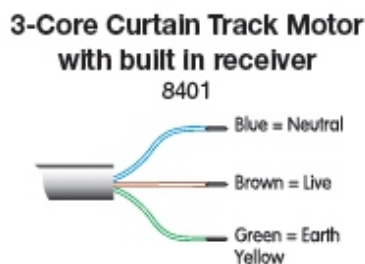
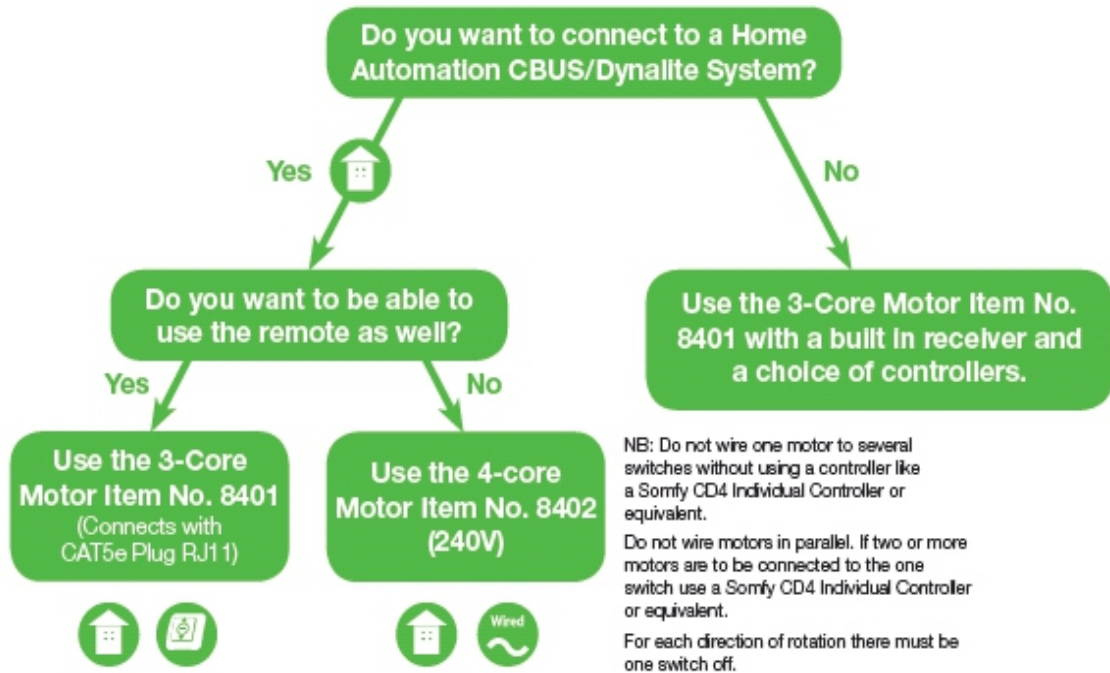
Curtain Automation



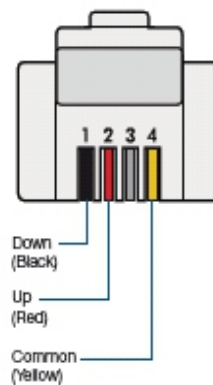
	8453	Ceiling Bracket	
	8455	Single Wall Bracket Base Only	
	8455L	Double Wall Bracket Base Only	
	8475	Drive Unit / Idle with Bearing	
	8476	Idle Cover Plate	
	8478	Drive Belt V Rubber	
	8491/1	Wall Mount Single Remote	
	8493/1	Glass Single Channel Remote	
	8493/15	Glass Double 15 Channel Remote	



MOTOR CHOICE & WIRING



RJ11 Dry Contact Plug



Motor Socket



For Low Voltage Dry Contact

Please Note: This wiring chart is a guide only. Only qualified licensed electricians should be used to carry out installation and wiring.

Series 84

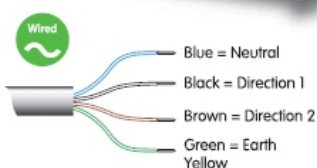
Motorised Tracking

oslo
drapery hardware



4-Core Curtain Motor

8402 - 100kg Curtain Motor 4-Core

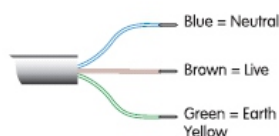


4-Core Motor

These motors can be used with building automation systems such as C-BUS and Dynalite etc.

3-Core

8401 - 100kg Curtain Motor with built in receiver



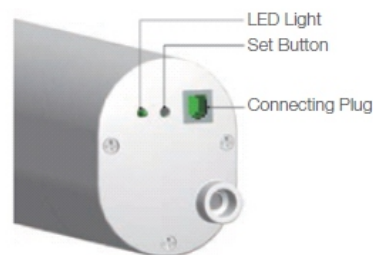
3-Core Motor

The built in receiver means these motors can be used with a range of controllers

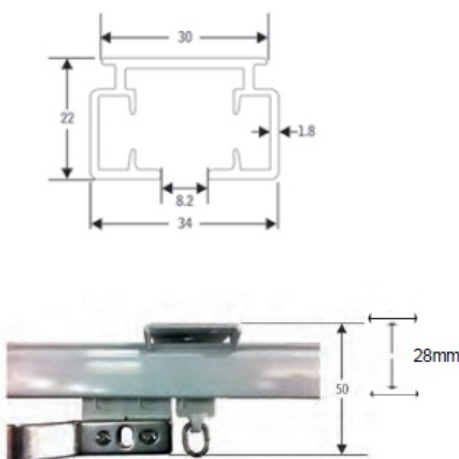
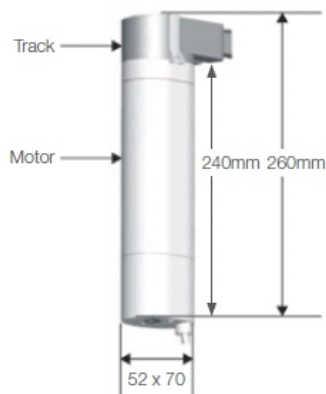
Technical Information

Specifications	8402 4-Core & 8401 3-Core
Rated Curtain Weight	100 Kilograms
Rated Input Power	75 Watts
Open/close Speed	20 (cm/sec)
Input Rated Voltage	230 Volts
Frequency	50 Hertz
Rated Current	0.34 Amps
Running Time	4 Minutes
Protection Class	IP20
Maximum Range of Revolutions	∞
Motor Weight	1.1 Kilograms

Motor Buttons



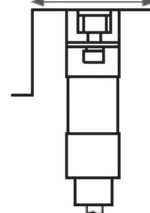
Track & Motor Dimensions



Single Motor Installation

100mm (Std. Curtains)

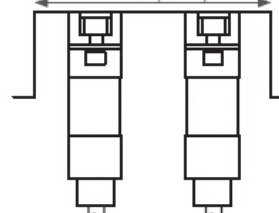
110mm (S-Fold)



Multiple Motor Installation

200mm (Std. Curtains)

220mm (S-Fold)



Series 84

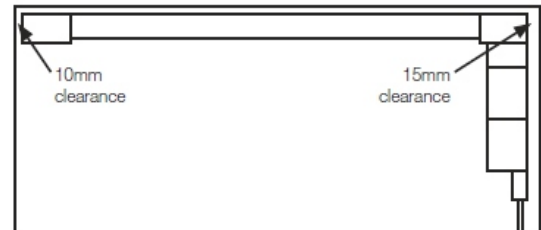
Motorised Tracking



SERIES 84 PELMET FITTING DIMENSIONS

Overall Track Length

To allow for the installation of motors onto the track, the overall length of the track must be shorter than the wall to wall measurements, and inside pelmets, by 25mm.

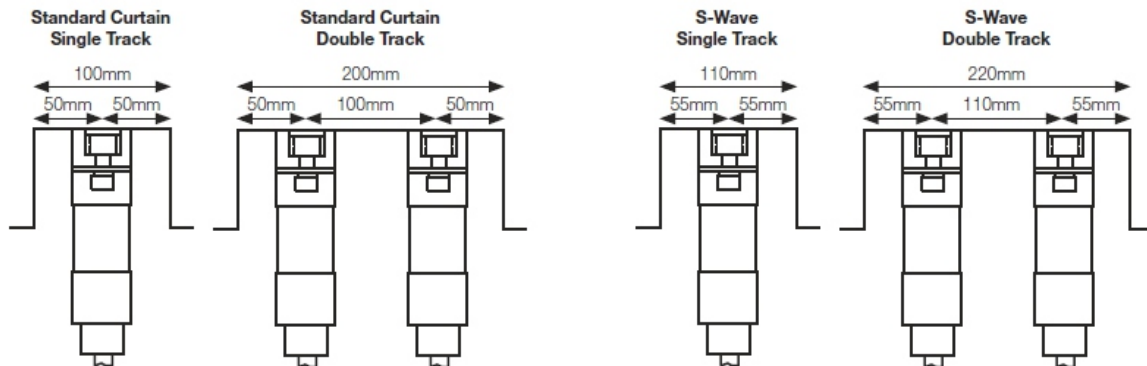


Pelmet Measurements

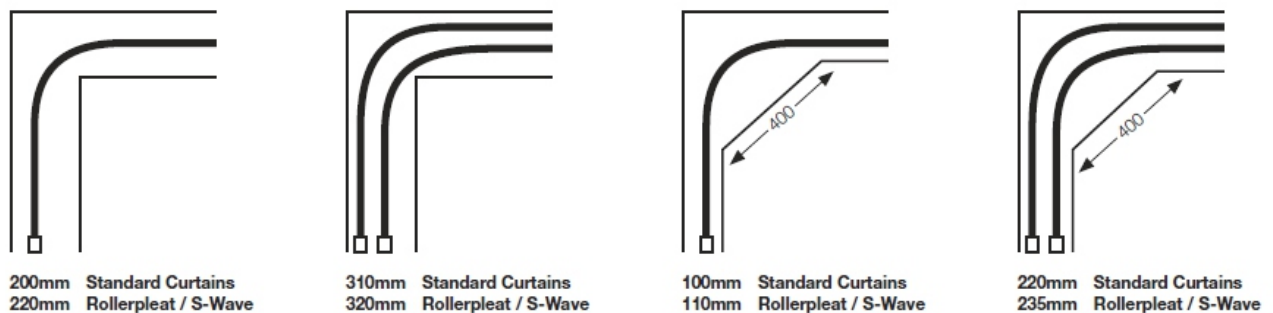
The pelmet measurements below are a suggested **minimum** size for a standard weight curtain. Heavier curtains will require a larger pelmet.

Note: All measurements are given for a 300mm radius bend. Large bends will require wider pelmets.

Straight Tracks



90° Bends

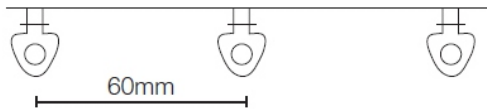


Series 84

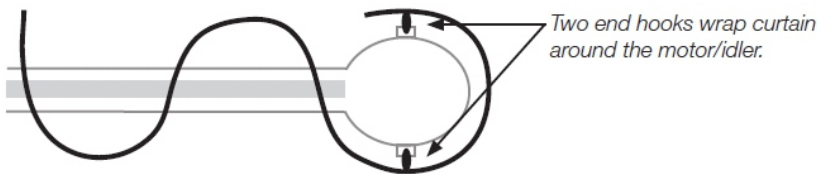
Motorised Tracking



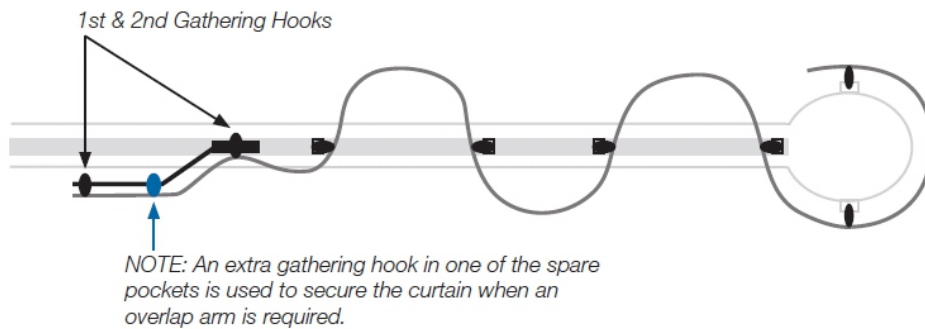
SERIES 84 MOTORISED S-WAVE SYSTEM USING TP 802 CLEAR WAVE (POCKET) TAPE



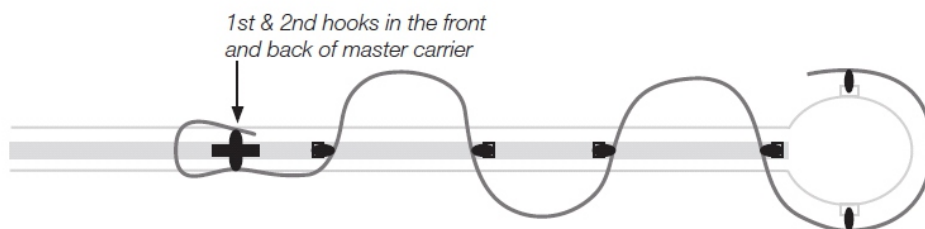
- 100% Fullness - The tape is supplied so every 8th pocket is to have a gathering hook.
- 80% Fullness - The tape is supplied so every 7th pocket is to have a gathering hook.
- The length of tape supplied is sufficient to wrap the curtain around the motor/idler using two hooks.



- Two of the hooks on the other end are used for either the overlap arm or master carrier



- For the Master Carrier on a centre open curtain, the 1st and 2nd hooks go either side of the master carrier creating a folded edge.



Series 84

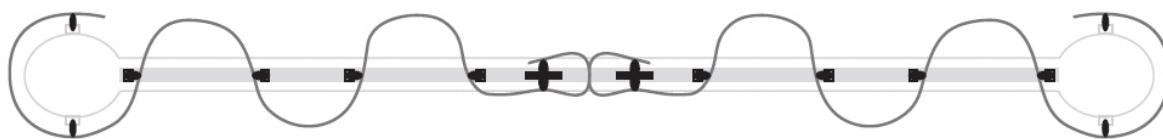
Motorised Tracking



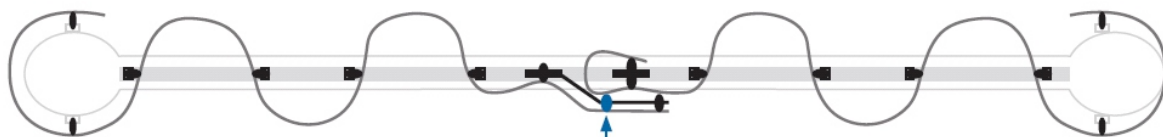
SERIES 84 MOTORISED S-WAVE SYSTEM USING TP 802 CLEAR WAVE (POCKET) TAPE

CENTRE OPENING CURTAIN OPTIONS

For the most consistent wave appearance, two Master Carriers can be used.



Alternatively if an overlap is required for better light block out an overlap arm can be used on one of the master carrier blocks.



NOTE: An extra gathering hook in one of the spare pockets is used to secure the curtain when an overlap arm is required.