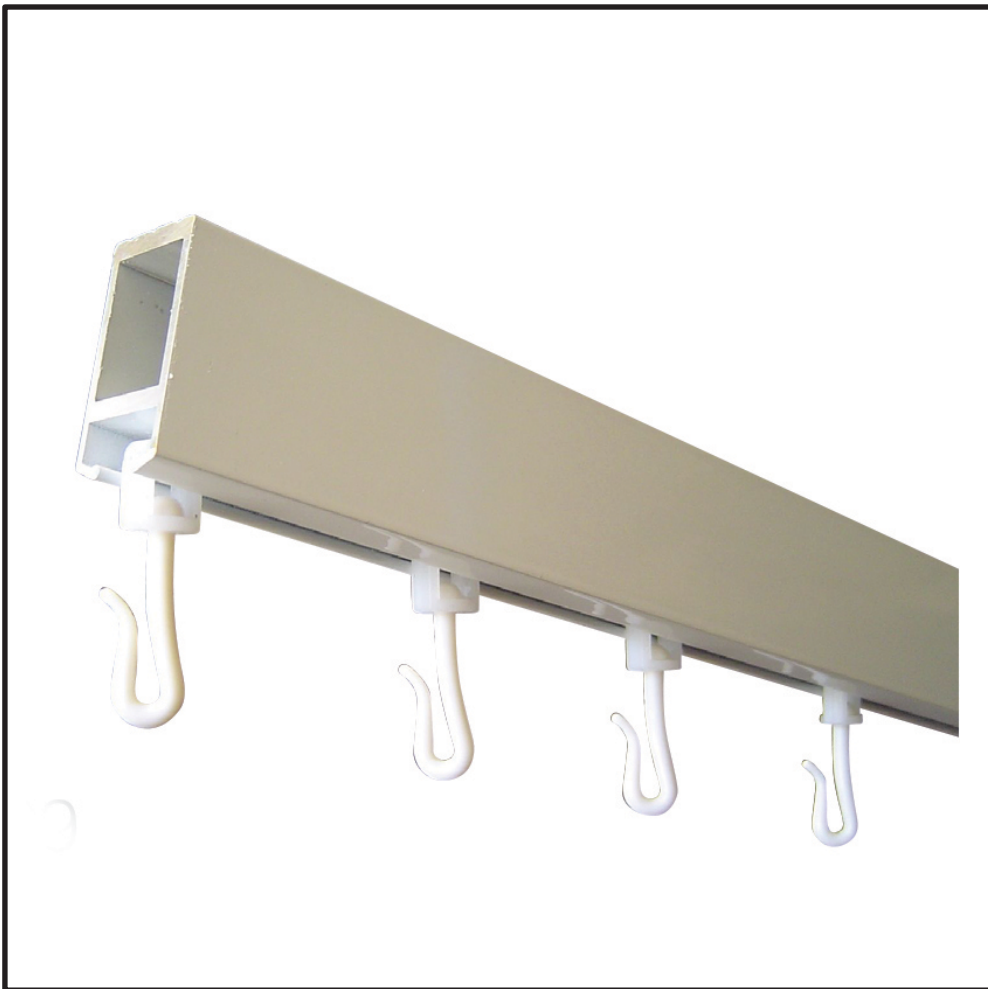




Series 99

Fixed & Moving Rail Hospital Track




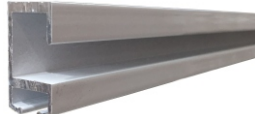







Oslo Series 99 hospital tracking is available as either a fixed or moveable rail system. Curtain loading cartridges and an intravenous drip carrier system makes the Oslo Series 99 hospital tracking system a very versatile system ideal for public and private hospitals, nursing homes, clinics, and doctors surgeries.

Oslo Series 99 hospital tracking is made from aluminium extrusion with external dimensions of 38mm x 20mm. Thick walled construction, complemented with solid bracketing and fixing attachments makes Oslo Series 99 hospital tracking a strong system which will give years of trouble free service.

Available in clear anodized and white powdercoated finishes.

Series 99 Hospital Track Fixed & Moving Rail



 <p>36mm Wide x 20mm Height</p>	<p>9920/4 9920/6 9920/7</p>	<p>Silver White Silver White Silver White</p>	<p>Track section 4 metre length Track section 4 metre length Track section 6 metre length Track section 6 metre length Track section 7.4 metre length Track section 7.4 metre length</p>	
	<p>9921</p>	<p>Silver White</p>	<p>Slotted track section 6 metre length for moveable rail</p>	
	<p>9931</p>	<p>White</p>	<p>Swivel curtain hook</p>	
	<p>9951</p>	<p>Silver White</p>	<p>Single point hanger</p>	
	<p>9952</p>	<p>Silver White</p>	<p>Two point hanger</p>	
	<p>9950V</p>	<p>Silver White</p>	<p>V hanger assembly</p>	
	<p>9956</p>	<p>Silver</p>	<p>Swivel mount</p>	
	<p>9943</p>	<p>Silver White</p>	<p>Ceiling cover 78mm diameter</p>	
	<p>9990</p>	<p>Silver White</p>	<p>Suspension tube 6 metre length</p>	







Series 99 Hospital Track Fixed & Moving Rail

	9947	Silver White	Splice	
	9946	Silver	Internal track joiner	
	9960	Silver White	Wall mount track socket	
	9953	Silver White	Ceiling mount bracket	
	9955	Silver White	Wall bracket 75mm projection	
	9961	Silver White	Shower Bracket	
	9941	Silver White	End stop	
	9942	Silver White	Traverse stop for slotted track	
	9991	Silver	Collar for suspension tube	
	9993	Silver White	Trolley assembly for moving rail	

Series 99 Hospital Track Fixed & Moving Rail


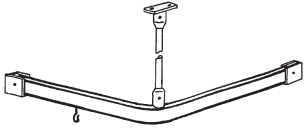
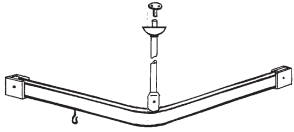
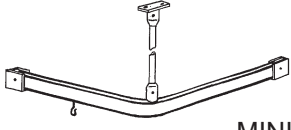
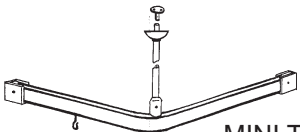


	9995	Silver White	Cassette complete 615mm	
	9932	Silver	IV tree carrier for 9920 solid track	
 60cm Standard & 90cm Extended	9997	White	Five point IV tree adjustable length with folding arms	
	9944	White	CRP Curtain Release Point Cut Price for CRP	

Code 9999 90 degree Hospital Bend

Shower Bends




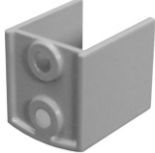






STANDARD SHOWER BENDS 100cm X 100cm
OTHER SIZES MADE TO ORDER ON QUOTE

	9926	Silver White	STANDARD HOSPITAL TRACK No. 1 Shower bend complete 100cm x 100cm with wall brackets 9961 and swivel hook runners	
	9927	Silver White	STANDARD HOSPITAL TRACK No. 2 Shower bend complete 100cm x 100cm with wall bracket drop rod and swivel hook runners	
	9928	Silver White	STANDARD HOSPITAL TRACK No. 3 Shower bend complete 100cm x 100cm complete with drop rod and cover and swivel hook runners	
 MINI TRACK	9827	Silver White	MINI HOSPITAL TRACK No. 2 Shower bend complete 100cm x 100cm with wall bracket drop rod and swivel hook runners	
 MINI TRACK	9828	Silver White	MINI HOSPITAL TRACK No. 3 Shower bend complete 100cm x 100cm complete with drop rod and cover and swivel hook runners	



Series 98

Mini Hospital Tracking

 20mm Wide x 25mm Height	9820	Silver White	Mini cubicle track section 6 metre length	
	9931	White	Swivel curtain hook	
	5233S 5233C	White	Standard carrier (loose) Box Qty 1000 Standard Carrier (on cards) Box Qty 400	
	9860	Silver White	Wall mount track socket	
	9841	Grey White	End stop	
	9951	Silver White	Single point hanger	
	9943	Silver White	Ceiling cover 78mm diameter	
	9956	Silver	Swivel mount	
	9853	Silver White	Ceiling mount bracket	
	9990	Silver White	Suspension tube 6 metre length	

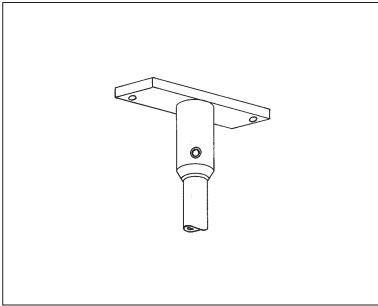


Series 98

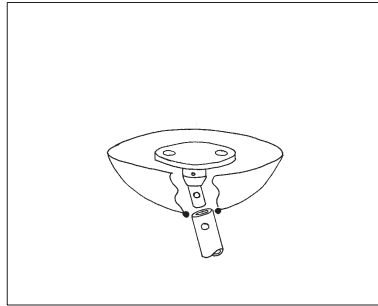
Mini Hospital Tracking

	9847	Silver White	Mini Splice	
Code 9999 90 degree Hospital Bend				
	9948	White	CRP Curtain Release Point Cut Price for CRP	
	9992/240	White	2.4 x 2m Shower Curtain - White	
	9994/360	Blue	3.6 x 2m Disposable Bed Screen Curtain - Blue Carton of 10	
	9994/435	Blue	4.35 x 2m Disposable Bed Screen Curtain - Blue Carton of 8	
	9994/735	Blue	7.35 x 2m Disposable Bed Screen Curtain - Blue Carton of 5	

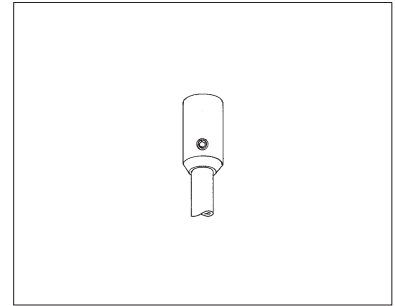
Components & Methods of Attachment Fixed and Moving Rail Tracks



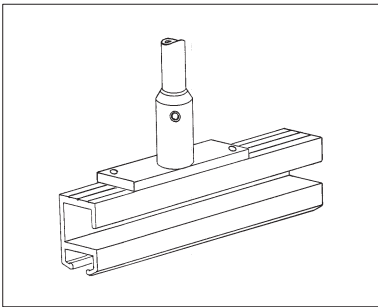
Two Screw Attachment to Ceiling



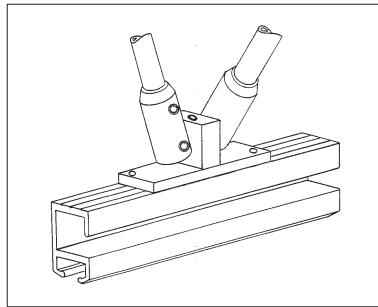
Swivel Hanger Attachment to Ceiling with Cover



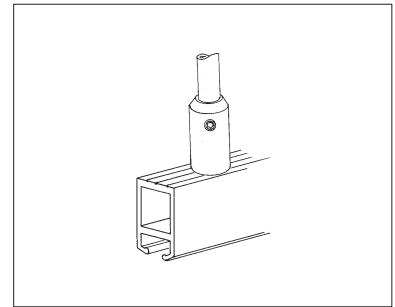
Single Screw Attachment to Ceiling



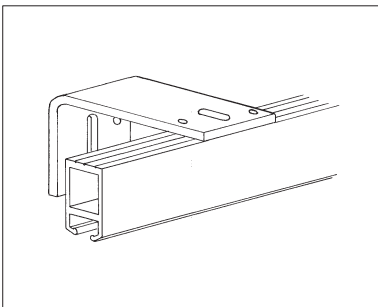
Two Screw Attachment



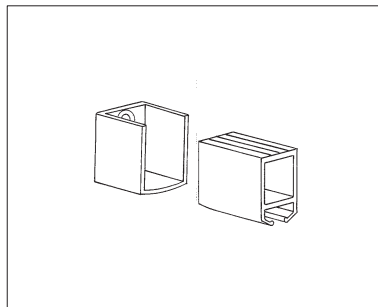
"V" Hanger Attachment



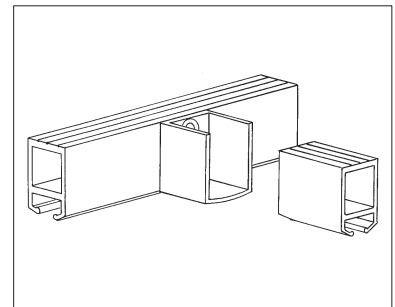
Single Screw Attachment



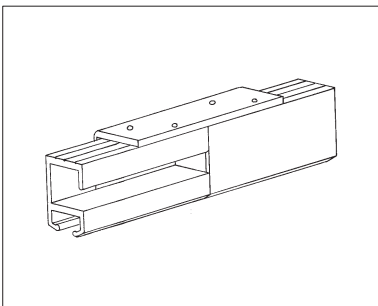
Wall Bracket



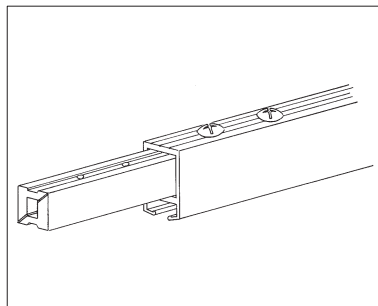
Wall Shoe



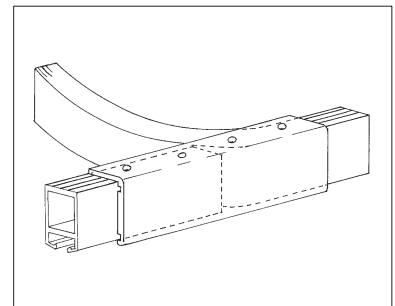
Attaching Track at 90 Degrees



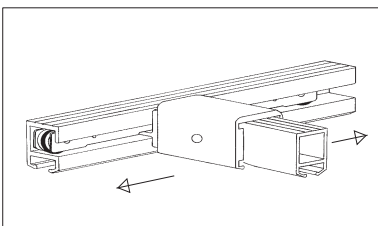
Joining Slotted and Fixed Track



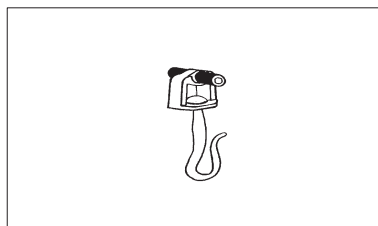
Joining Fixed Track



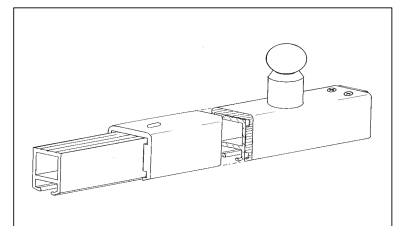
90 Degree Attachment with Curved Track



Trolley for Moveable Rail



Swivel Hook



Cassette