



Series 70

Recess Track



Suitable for both S-Wave and conventional Curtains.

Series 70 – Recess Track is designed for top fixing directly into the Gyprock ceiling lining, with the edge of the Gyprock sitting on the flange of the track, so the curtain appears to fall directly out of the ceiling.

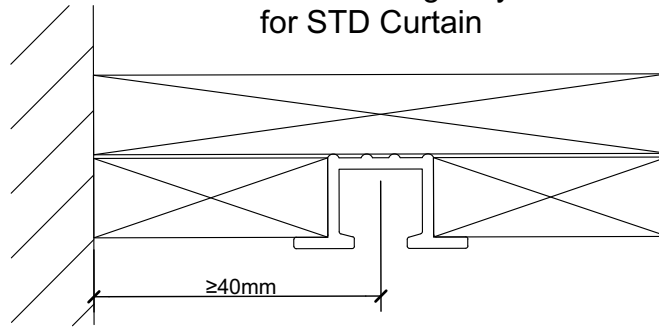
Features are:

- Pre-drilled every 150mm for ease of fixing through the track.
- Small overall dimension so not visible within the room, but strong enough to handle medium to heavy curtains. Suitable for both conventional and S-Wave curtains.
- Bent to a tight radius of 150mm.
- Track length 6m can be butted together for longer installations.
- Suitable for Clear Wave Tape only.

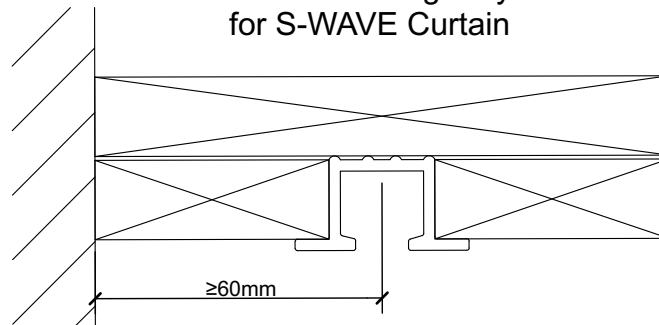


Recommended distances from the wall

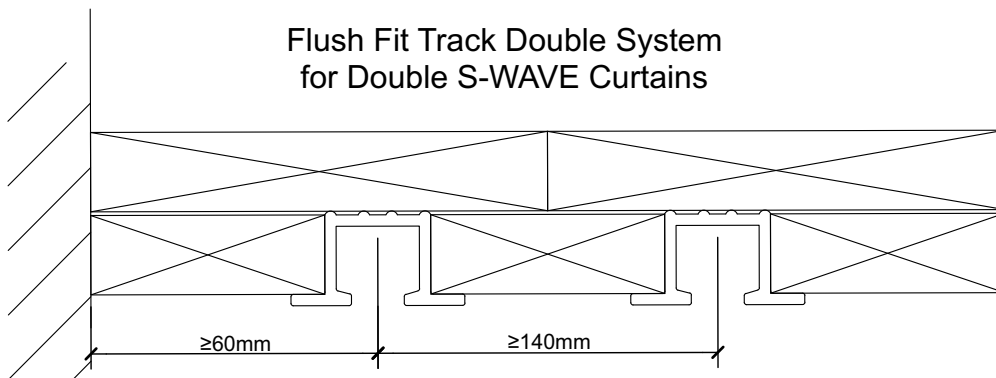
Flush Fit Track Single System
for STD Curtain



Flush Fit Track Single System
for S-WAVE Curtain



Flush Fit Track Double System
for Double S-WAVE Curtains

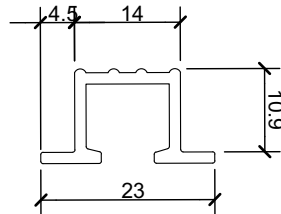


Series 70 Recess Tracking

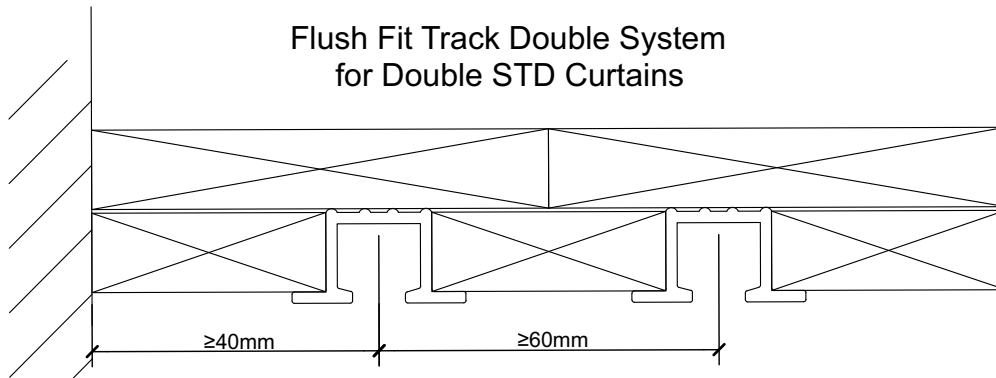
oslo
drapery hardware



Recommended distances from the wall



Flush Fit Track Double System
for Double STD Curtains



Flush Fit Track Double System
for STD & S-Wave Curtain combination

